

FORD PERFORMANCE



January 17, 2025

Technical Service Bulletin – 26

Optional Change

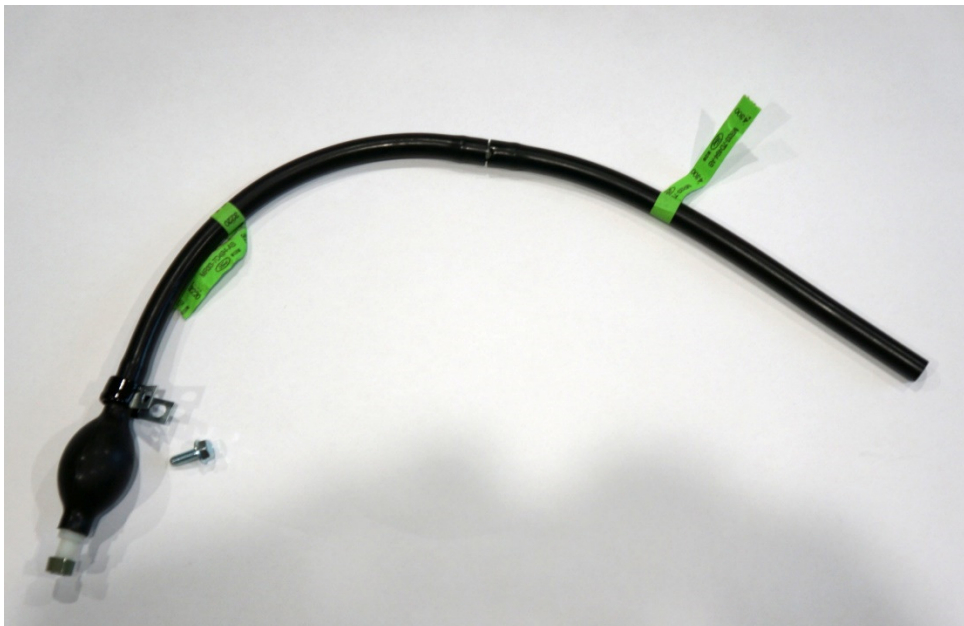
Catch Cans

Purpose: To allow for more fluid to be caught and drain back into the transmission and axle. This applies to vehicles serial numbers 1-40.

Transmission Vent System

Original parts to be removed

- Vent/Tube Assembly MR33-7D494-AB
- ½" P-Clip 26-464
- Bolt M6x20 W505255-S450L



Located under the hood next to the engine breather can.

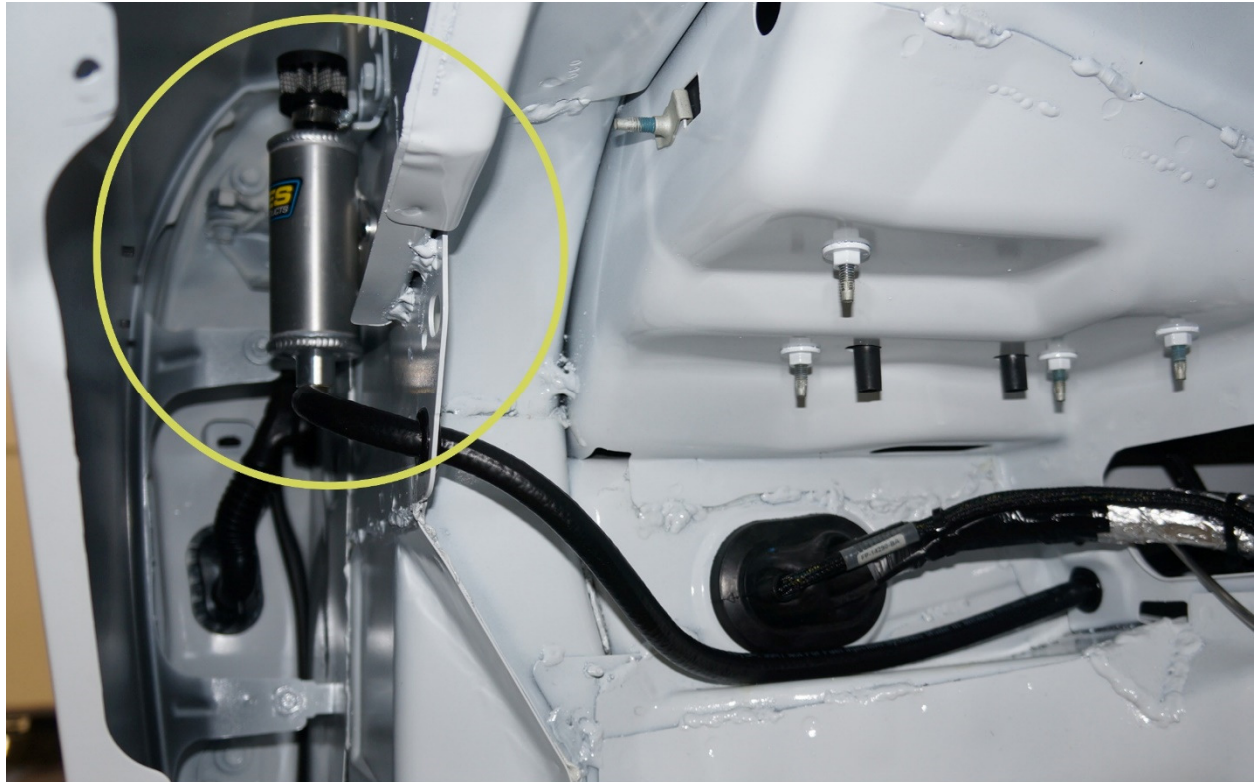


New parts

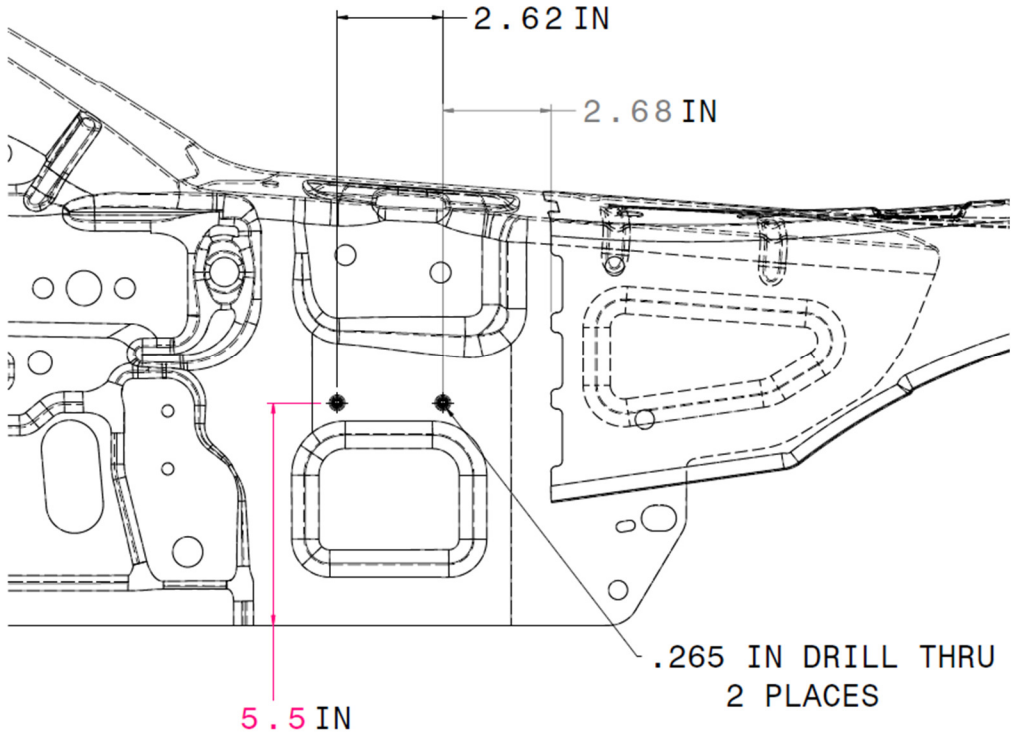
Description	QTY	Part Number	Supplier
Catch Can	1	Joes-12310	Hoerr Racing Products
Rivet Nut	2	95105A167	McMaster-Carr
Bolt, M4x0.7x20	2	91280A045	McMaster-Carr
Flat Washer	2	98180A120	McMaster-Carr
Hose Fitting, 90°x5/16"	1	53525K14	McMaster-Carr
Hose, 5/16" x 39.5"	1	9627T15	McMaster-Carr
Rubber Grommets	2	9307K85	McMaster-Carr



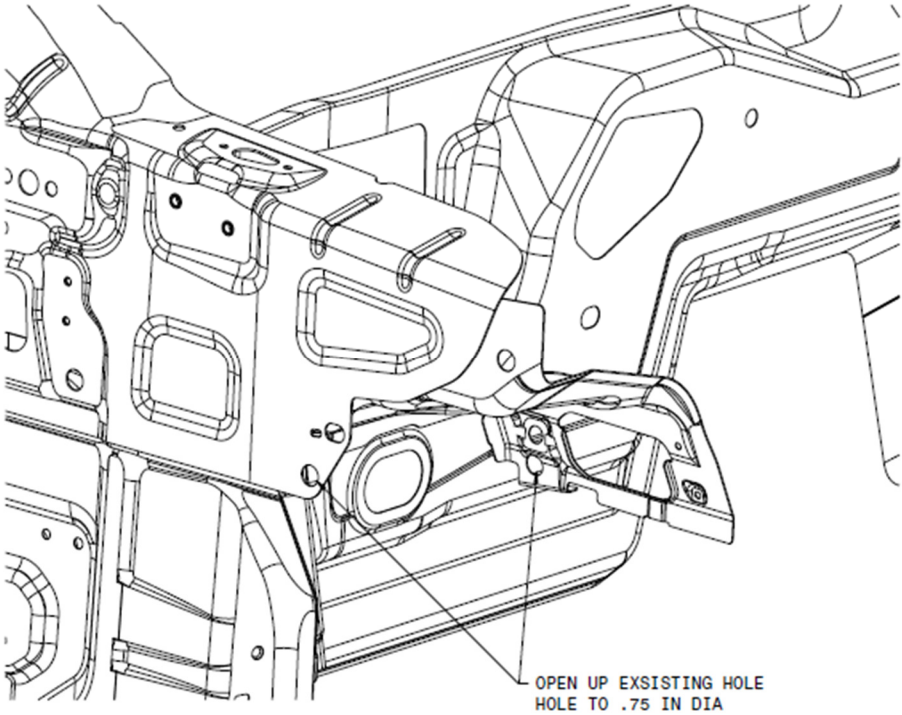
To be mounted behind the front passenger's side fender.



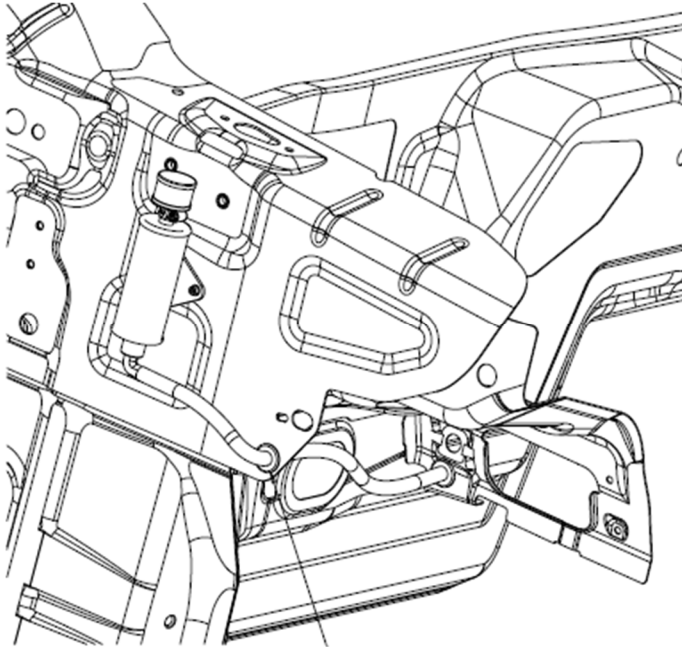
Mount location Drawings



Grommet hole to be opened to 0.75"



Installed



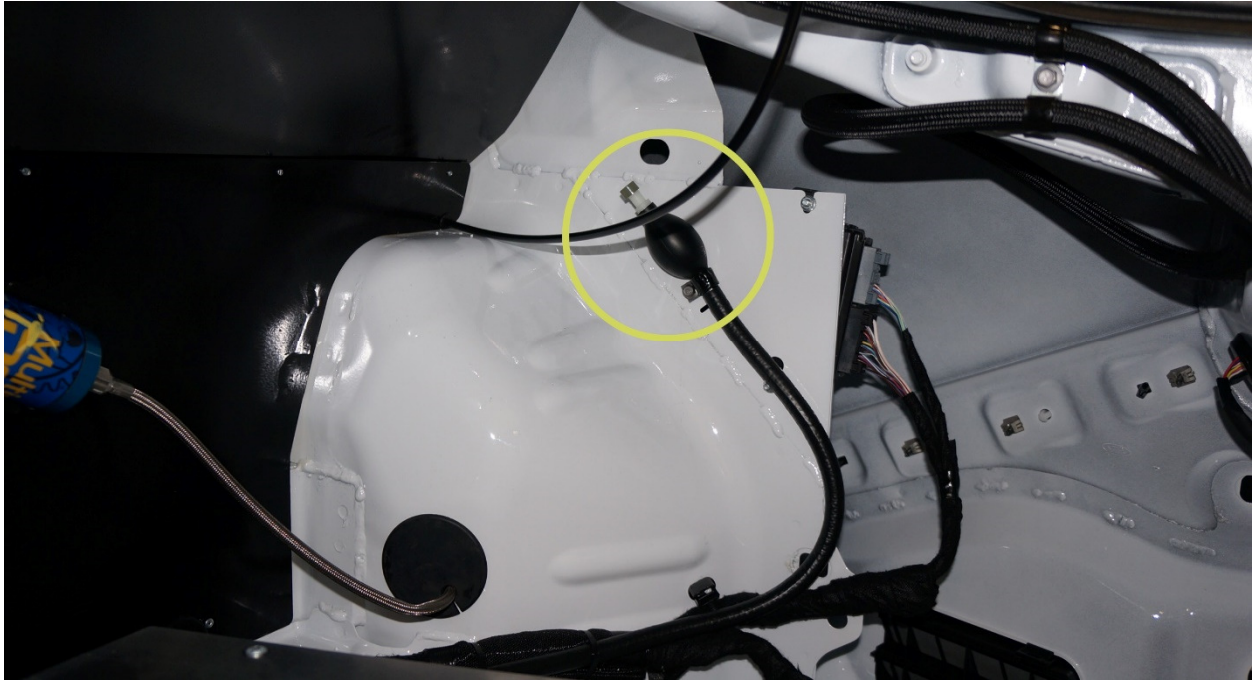
Axle Catch Can Assembly

Original parts to be removed

- Vent MR33-7D494-AB
- ½" P-Clip 26-464
- Bolt M6x20 W505255-S450L
- Hose, 5/16" Remove 12" from hose in vehicle, Replacement 30"



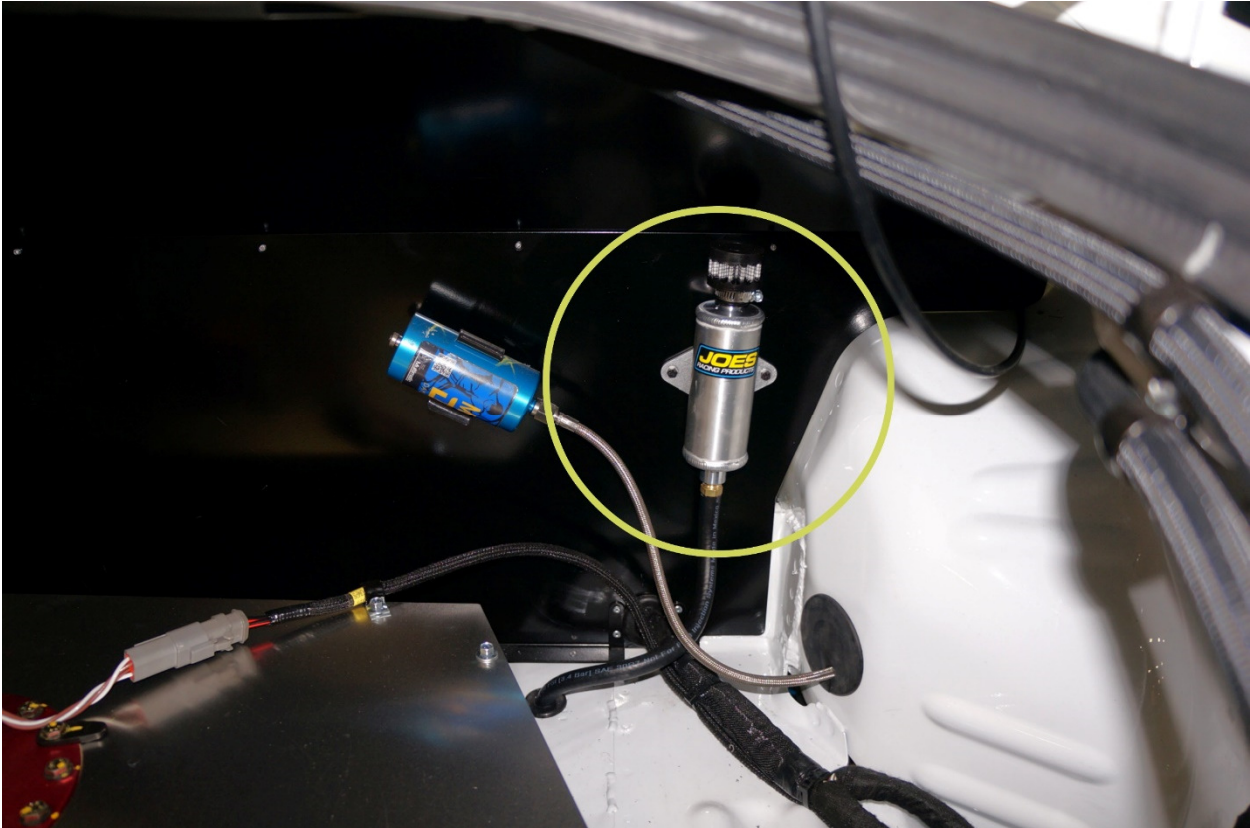
Located in the trunk behind the passenger's side wheel housing.



New parts

Description	QTY	Part Number	Supplier
Catch Can	1	Joes-12310	Hoerr Racing Products
Rivet Nut	2	95105A167	McMaster-Carr
Bolt, M4x0.7x20	2	91280A045	McMaster-Carr
Flat Washer	2	98180A120	McMaster-Carr
Hose Fitting, 5/16"	1	5346K16	McMaster-Carr

To be mounted in truck on the rear close out panel.



Mount location drawing

